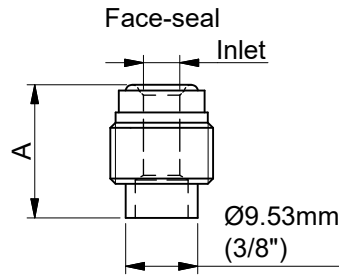


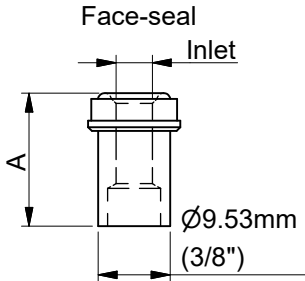
*) Dimension A is typical finger-tight.

Compression type		3/8" tube
		A
adapter	3mm OD	18.0mm
adapter	6mm OD	19.2mm
adapter	8mm OD	26.6mm
adapter	10mm OD	39.7mm
adapter	12mm OD	42.4mm
adapter	1/16" OD	15.6mm
adapter	1/8" OD	18.1mm
adapter	1/4" OD	19.6mm
adapter	3/8" OD	26.6mm
adapter	1/2" OD	42.2mm



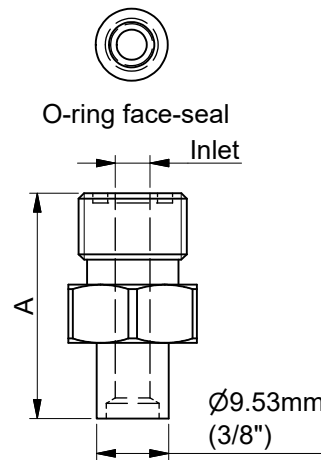
tol. dimension A = ±0.1

Face seal male		3/8" tube
		A
adapter	1/8" inlet	13.7 mm
adapter	1/4" inlet	17.6 mm
adapter	1/2" inlet	37.6 mm



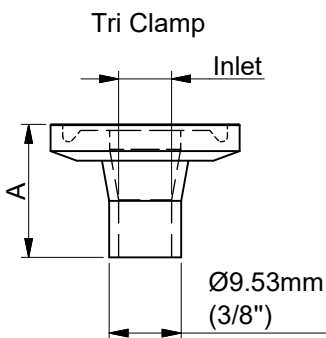
tol. dimension A = ±0.1

Face seal female		3/8" tube
		A
adapter	1/4" inlet	17.6mm



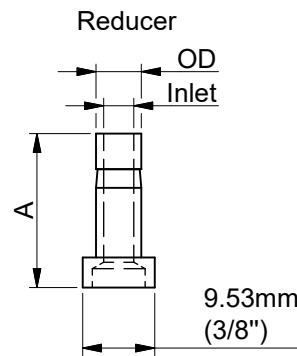
tol. dimension A = ±0.1

O-ring face seal		3/8" tube
		A
adapter	1/4" inlet	29.8mm



tol. dimension A = ±0.2

Tri Clamp		3/8" tube
		A
Tri Clamp	1/2" inlet	17.6mm



tol. dimension A = ±0.2

Reducer		3/8" tube
		A
Reducer	6mm OD	20.4mm
Reducer	1/4" OD	20.4mm

Title: **Dimensions weld adapters**

Drawer : R.Kn.

Revision Description:

Date: 07-02-2007

Added Reducer

Checked : J.E.

Date: 13-07-2017

Rev. by: J.W.

Scale: 1:1

A4